

# Product data sheet

## Characteristics

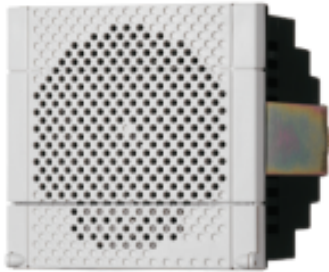
# XVS72BMWP

Electronic alarm, Harmony XVS, white, PNP, mounting support DIN 72, 0...90 dB, 16 tones, 4 channels, 12...24 V DC



Product availability: Non-Stock - Not normally stocked in distribution facility

Price\*: 180.00 USD



### Main

Range of product	Harmony XVS
Product or component type	Electronic alarm
Device short name	XVS

### Complementary

Color	White
Material	ABS (acrylonitrile butadiene-styrene): body PC (polycarbonate) terminal cover
Net weight	0.40 Lb(US) (0.18 kg)
Marking	CE
Overvoltage category	Class II EN/IEC 61140
Mounting support	72 mm DIN rail
[Us] rated supply voltage	12...24 V DC
[Uimp] rated impulse withstand voltage	0.8 KV
Current consumption	117 mA 12 V 125 mA 24 V 158 mA 12 V 200 mA 24 V
Clamping connection capacity	<= 1 x 1.5 mm <sup>2</sup>
Width	2.83 In (72 mm)
Height	2.83 In (72 mm)
Depth	2.73 In (69.3 mm)

## Environment

Discrete output type	PNP
Signalling type	16 tones alarm
Standards	EN/IEC 61000-6-3 EN/IEC 61000-6-2 UL 464
Product certifications	UR
Protective treatment	TC
Ambient air temperature for storage	-31...158 °F (-35...70 °C)
Ambient air temperature for operation	14...122 °F (-10...50 °C)
IP degree of protection	Panel mounted IP54 EN/IEC 60529
Noise level	0...90 DB continuous or intermittent tone)1 m

## Ordering and shipping details

Category	22617 - XVC TOWER LIGHTS
Discount Schedule	XV
GTIN	03606480032912
Nbr. of units in pkg.	1
Package weight(Lbs)	9.35 Oz (265 g)
Returnability	No
Country of origin	ID

## Packing Units

Unit Type of Package 1	PCE
Package 1 Height	4.13 In (10.5 cm)
Package 1 width	3.66 In (9.3 cm)
Package 1 Length	3.74 In (9.5 cm)

## Offer Sustainability

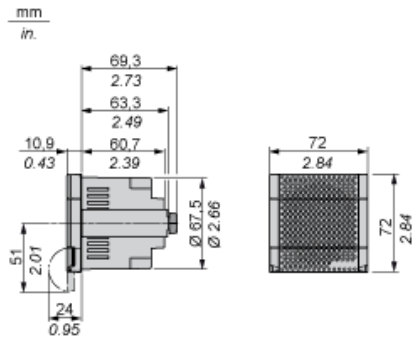
Sustainable offer status	Green Premium product
California proposition 65	WARNING: This product can expose you to chemicals including: Lead and lead compounds, which is known to the State of California to cause cancer and birth defects or other reproductive harm. For more information go to <a href="http://www.P65Warnings.ca.gov">www.P65Warnings.ca.gov</a>
REACH Regulation	<a href="#">REACH Declaration</a>
EU RoHS Directive	Pro-active compliance (Product out of EU RoHS legal scope) <a href="#">EU RoHS Declaration</a>
Mercury free	Yes
RoHS exemption information	<a href="#">Yes</a>
China RoHS Regulation	<a href="#">China RoHS Declaration</a>
Environmental Disclosure	<a href="#">Product Environmental Profile</a>
Circularity Profile	<a href="#">End Of Life Information</a>

## Contractual warranty

Warranty	18 months
----------	-----------

Electronic Alarm

Dimensions



Product Life Status : Commercialised